

Ice-boy

ICE CUBE MACHINES



25⁺
Years

of Innovation & Excellence

*German Innovation & Technology
to Achieve Perfection*



BULLET SHAPE ICE MACHINES

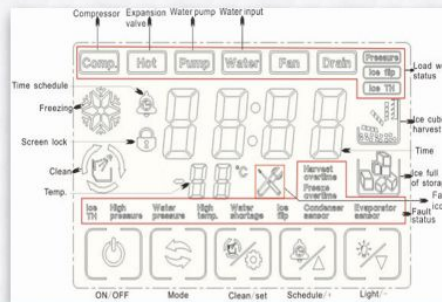


Model	Kg /Day	Ice Cubes /Batch	Kg	KW	UNITS	HxWxD (mm)
BUZ-40 EL	60	37	30	0.37	8.80	810x600x600
BUZ-90 EL	140	86	60	0.75	18.00	1100x730x730

Model	Kg /Day	Ice Cubes /Batch	Kg	KW	UNITS	HxWxD (mm)
BUZ-160 EL	250	161	150	1.15	27.60	1600x700x840
BUZ-260 EL	400	246	200	2.20	52.80	1600x900x840



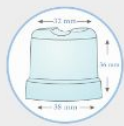
Model	Kg /Day	Ice Cubes /Batch	Kg	KW	UNITS	HxWxD (mm)
BUZ-320 EL	500	322	150	2.30	55.20	2200x700x840
BUZ-520 EL	800	492	200	4.40	105.60	2200x900x840



Feature Packed Touch Screen Display with Auto Start/ Stop, Control of Ice Size, Water Consumption, Troubleshooting, etc.

Completely Stainless Steel Ice Producing System

- Daily production is based on European Standards (10°C Air & 10°C Water)
- If the hardness of level of the drinking water of 200 TDS or more, the use of softened



SOLID ROUND ICE MACHINES

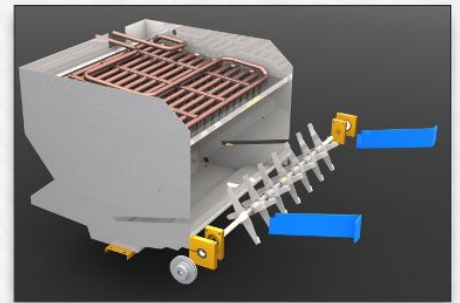
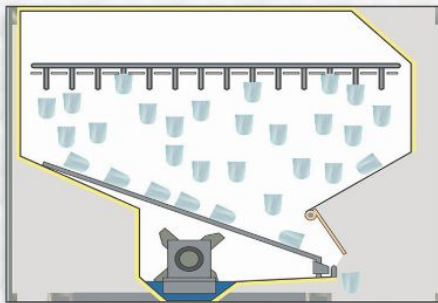
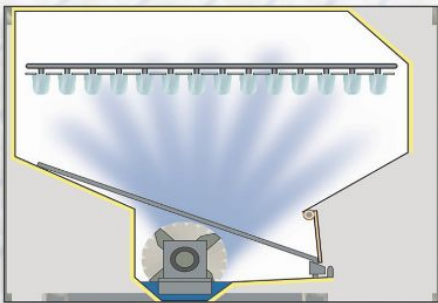


Model	Kg /Day	Ice Cubes /Batch	Kg	KW	UNITS	HxWxD (mm)
ZX-60 EL	75	48	60	0.75	18.00	950x730x730

Model	Kg /Day	Ice Cubes /Batch	Kg	KW	UNITS	HxWxD (mm)
ZX-130 EL	170	96	150	1.15	27.60	1600x700x840
ZX-225 EL	315	192	200	2.20	52.80	1750x990x950



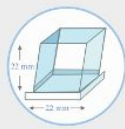
Model	Kg /Day	Ice Cubes /Batch	Kg	KW	UNITS	HxWxD (mm)
ZX-260 EL	340	192	150	2.30	55.20	1600x700x840



Centrifugal System Designed and Patented in Germany provides Perfect Individual Crystal Clear Ice Cubes Even in Adverse water Conditions. While No Choking Nozzles No Pumps & No Gear Motors ensure Trouble Free, Low Maintenance, Long Lasting Machines.

New Patent Pending Easy Pull Out Slide for Quick Maintenance

• Production as per Indian Standards 30% Less approx. (32°C Air & 25°C Water). • Recommended drinking water is recommended. • Electrical connection: Standard 230 V/50 Hz • Note: Design



DICE SHAPE ICE MACHINES



Model	Kgs /Day	Ice Cubes /Batch	Kg	KW	UNITS	HxWxD (mm)
SQ-10 EL	15	24	1.5	0.19	4.68	350x305x360

Model	Kgs /Day	Ice Cubes /Batch	Kg	KW	UNITS	HxWxD (mm)
SQ-25 EL	30	50	20	0.26	6.24	840x510x450
SQ-45 EL	55	60	27	0.35	8.40	840x510x600



Model	Kgs /Day	Ice Cubes /Batch	Kg	KW	UNITS	HxWxD (mm)
SQ-110 EL	125	126	40	0.75	18.00	900x680x670

Model	Kgs /Day	Ice Cubes /Batch	Kg	KW	UNITS	HxWxD (mm)
SQ-235 EL	250	234	200	1.0	24.0	1640x770x910
SQ-500 EL	500	440	220	2.35	56.4	1885x770x910



Recommended area of use for air - cooled units: 10°C thru 38°C ambient temperature
 Design / Specification subject to change without notice • Dimensions (height) with legs.



ICE CUBE CRUSHERS / SLICERS



Electric Ice Cube Crusher

Model	Kg /Day	Stock (Kg)	KW	HxWxD mm
C-103	2.0	1.0	0.10	310x175x330

Manual Ice Cube Crusher

Model	Kg /Day	Stock (Kg)	KW	HxWxD mm
H-103	0.5	0.5	0.0	330x270x230



Ice Cube Slicer



Model	Kg /Day	Stock (Kg)	KW	HxWxD mm
S-103	1.8	1.0	0.23	420x370x285



- Crystal-clear crushed ice is the guarantor for unique cocktails, refreshing drinks, uniformly cooled food and happy customers.
- Enjoy making Snow Cones in different Flavors with these Ice Slicers which can give you sliced ice within seconds.